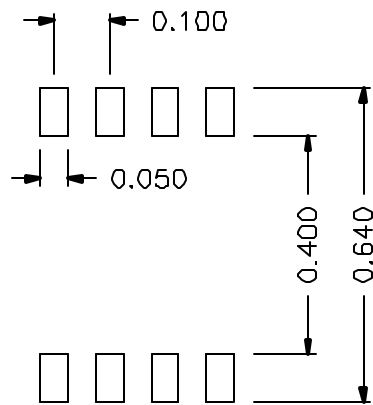
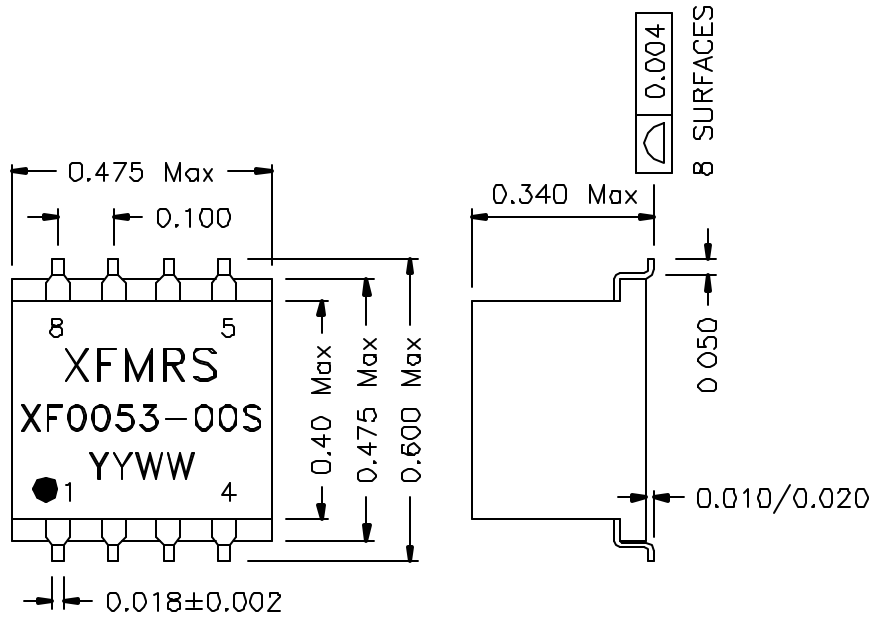
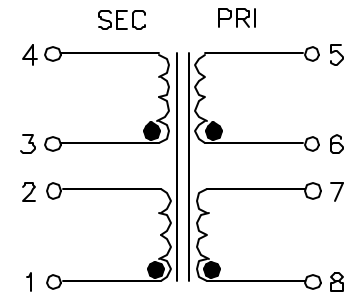


1. Dimensions:



SUGGESTED FOOTPRINT

2. Schematic:



3. Electrical Specifications: @25°C

Isolation Voltage: 1500Vrms

Turns Ratio: 1CS:1CS±2%

PRI OCL: 3.5-6.5mH @100KHz 50mV

SEC DCR: 1.0 ohms Maximum

PRI DCR: 1.0 ohms Maximum

Operating Temp: -40 to +85C

DOC. REV A/2

XFMRs Inc		Title: T1/CEPT/ISDN-PRI TRANSFORMERS	
UNLESS OTHERWISE SPECIFIED TOLERANCES: .xxx ±0.010 Dimensions in Inch		P/N: XF0053-00S	REV. A
		DWN. 李清儿	May-08-99
		CHK. 孙怡	May-08-99
SCALE 2:1 SHT 1 OF 1		APP. Joe Huff	May-12-99